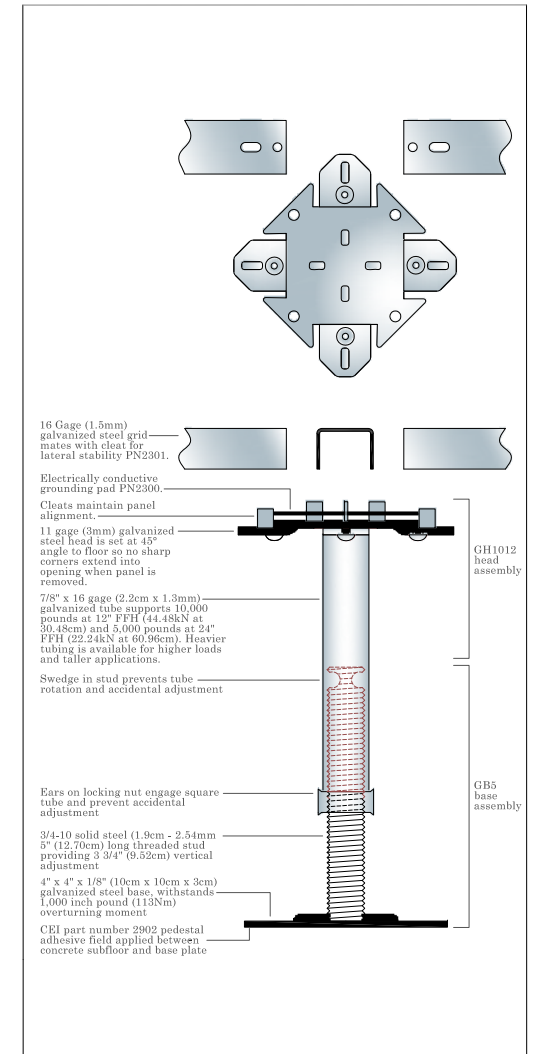


Product Data Sheet

20GGS Understructure Product Data Sheet

2.00	Model Number	30GGS	
2.10	Units	USCS	SI
2.11	Minimum Finish Floor Height	3 in	7.62 cm
2.12	Maximum Finish Floor Height Using Standard 1000 Inch-Pound (113Nm) Pedestals with 10 P/F ² (48kg/m ²) Horizontal Load (CAUTION Seismic Load May Reduce Allowable Maximum Height or Increase Pedestal Overturning Moment Requirement, Refer to ASCE7)	25 in	63.50 cm
2.13	Vertical Load Enhancement	None	
2.14	Stringer Span (Panel x Panel)	1 Panel x 1 Panel	
2.15	Pedestal Spacing	24 in	60.96 cm
2.15	Uniform Stringer Load at .10" (2.5mm) Deflection	150 lbs	667 N
2.16	Concentrated Stringer Load at .10" (2.5mm) Deflection	100 lbs	445 N
2.17	Standard Pedestal Axial Load at Various Finish Floor Heights	4"-12" (10-30cm)	10,000 lbs 44,482 N
2.18	(Higher ratings are available upon request)	13"-18" (33-46cm)	7,000 lbs 31,138 N
2.19		19" (48cm) and Up	5,000 lbs 22,241 N
2.20	Standard Pedestal Overturning Moment	Adhesive	1,000 in lbs 113 Nm
2.21	(Higher ratings are available upon request)	4 Bolts	1,000 in lbs 113 Nm
2.22	Standard Pedestal Base Size	4 in x 4 in	10.15 cm x 10.16 cm
2.23	Materials of Construction	Galvanized Steel	
2.24	Ease of Access to Subfloor	High	
2.25	Nonmagnetic (Nonferrous)	No	
2.26	Fuel Contribution Factor per ASTM E-84-84	0	
2.27	Flame Spread per ASTM E-84-84	0	
2.28	Smoke Density Factor per ASTM E-84-84	0	
2.29	Static Dissipation	Excellent	
2.30	Maximum Ohms (DC) Between Uncovered Surface and Pedestal	10	
2.31	Maximum Ohms (DC) Between 2 pedestals 20' Apart	1	
2.32	Maximum Ohms at 1 MHz Between 2 pedestals 20' Apart	15	
2.33	Suitable For Use As a Signal Reference Grid	Yes	
2.34	Resistance to Oxidization in High Humidity	Fair	
2.35	Resistance to Acids and Polar Solvents	Poor	
2.36	Resistance to Organic (Nonpolar) Solvents	Excellent	
2.37	Suitable Panel Types	All	
2.38	Stringer Dimensions	Width	1.1 in 2.79 cm
2.39		Height	0.8 in 2.03 cm
2.40		Length	21.8 in 55.37 cm
2.41		Material Thickness	0.06 in 0.15 cm
2.42	Weight - Pedestals and Stringers at 12" (30cm) Finish Floor Height	1.2 lbs/ft ²	5.86 kg/m ²
2.43	Warranty	1 Year	
2.44	Approximate Delivery	<3000 Ft ² (300m ²)	4 Weeks
2.45		>3000 Ft ² (300m ²)	5 Weeks



CEI PART #: 20 Series Understructure			
DRAWN BY: M C.			
PAPER SIZE = 8.5' x 11" LASER			
SHEET: 1	SCALE: 2.5 = 1	DATE: 14 Dec 2015	
PATH=C:\Users\Ingo\Desktop\Aluminum Panels.dwg			



COMPUTER ENVIRONMENTS, INC.

1616 JOHN WEST ROAD DALLAS, TX, USA 75228 214 321 1234 FAX 214 321 2333 ceifloor.com
100% U.S. Owned 100% U.S. Made

PART OR PROJECT DESCRIPTION: 20GGS Understructure Product Data Sheet